

23m

3W  
LED

IP65

Colour  
**Malux**  
solutions

# MX Safe Sign C/W U200

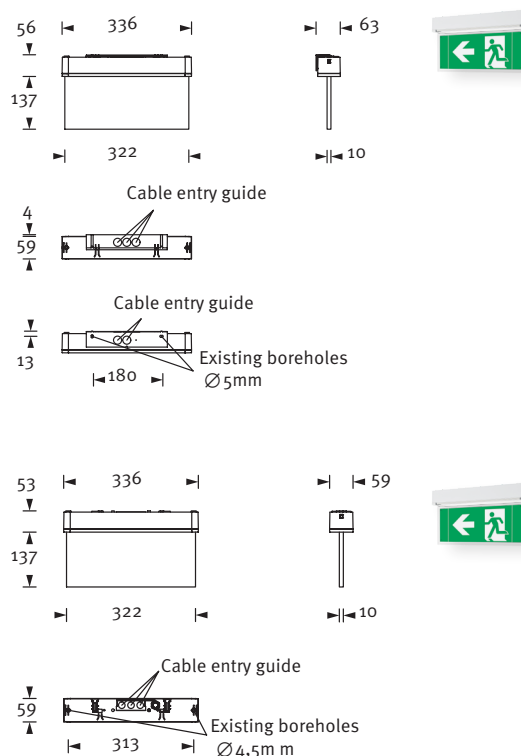
The luminaire is made of sturdy polycarbonate and equipped with an IP65 membrane pressure compensation valve. For ceiling and wall mounting. Cable entry from above and back. For wall mounting there is an inconspicuous wall adapter enclosed. Also possible is recessed ceiling mounting with an optional recessed ceiling frame.

Pane illumination with 3 watt LED-bar. Viewing distance 23m, pictogram set is included.

## Technical specifications

Visibility distance	23m
Connecting terminals	2 x 2,5mm <sup>2</sup> for double assignment
Casing/colour	Polycarbonate / white or black (light cover clear)
Type of assembly	Universal mounting
Dimensions (WxHxD)	
Wall mounting	336 x 193 x 63mm
Ceiling mounting	336 x 190 x 59mm
Protection class	IP65
Safety class	II

Illuminant	■	■
		3W LED-bar
Light current mains operation	380lm	380lm
Luminous flux		
Emergency (DC) / mains 1h	-	100%/100%
Emergency (DC) / mains 3h	-	85%/100%
Emergency (DC) / mains 8h	-	40%/100%
Power consumption	6VA	6VA
Battery current input	19mA	-
Rated operating time		
Battery operation	-	1h / 3h / 8h
Voltage supply	230V 50/60Hz / 220V DC +25/-20%	230V 50/60Hz
NiMh-Akku	-	4,8V 2,0Ah
Temperature range	-10°C to +40°C	-
non-maintained mode	-	0°C to +35°C
maintained mode	-	-5°C to +30°C
optional:		
Multi-switch and monitoring module	MSÜ3, SET009 SET010, DALI	-
Self monitoring	-	SELF CHECK
Central monitoring	-	MX Safe Wireless control



## Accessories

Cable assembly set		Exit pictogram FR
Wire guard		Exit pictogram FL
Recessed ceiling frame		Exit pictogram FU
Wall bracket		Blind pane for single-sided pictogram mounting

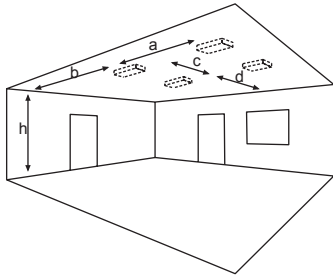
\* Pictogram-set included in the delivery.  
Other pictograms available on request.



optional: Recessed ceiling frame

Technical changes reserved

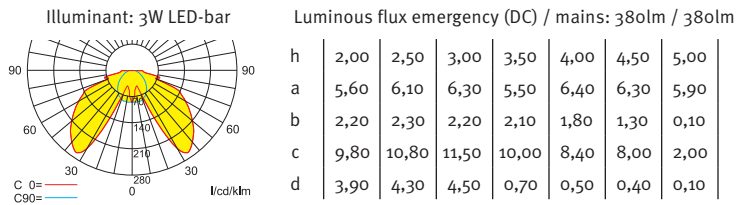
## Lighting datas and tables of luminaire distances (E = 1,25 lx)



Ceiling mounting

### Luminaires for central battery systems

Distance table for plane emergency routes / distance data in meters



### Self contained luminaires

Distance table for plane emergency routes / distance data in meters

